

45° Elbows

Polypropylene / PVDF / PFA-Lined

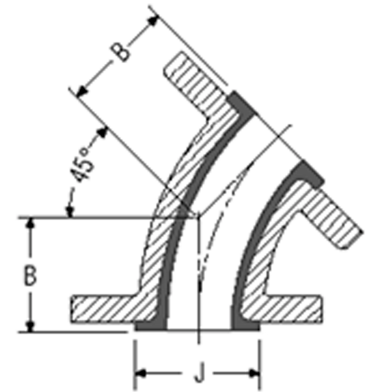
Housing Materials

DI = ASTM A395 Cast Ductile Iron
 CAST STEEL = ASTM A216

Vacuum Ratings

Polypropylene-lined fittings are rated for full vacuum at 225°F.
 PVDF-lined fittings are rated for full vacuum at 275°F.
 Consult factory for vacuum ratings on PFA-lined fittings.

Note: All PP / PVDF / PFA-lined fitting housings are Castings.
 Flanged are fixed.



150lb. Flanged						
Size (NPS)	Housing Material	Part Numbers by Liner Material and Housing Material			Dimensions (in.)	
		Polypropylene	PVDF	PFA	B	J
1	DI	E500P1VV0N100	E500K1VV0N100	E500Q1VV0N100	1 3/4	1 7/8
	CAST STEEL	E500P2ZZ0N100	E500K2ZZ0N100	E500Q2ZZ0N100		
1.5	DI	E500P1VV0NB00	E500K1VV0NB00	E500Q1VV0NB00	2 1/4	2 11/16
	CAST STEEL	E500P2ZZ0NB00	E500K2ZZ0NB00	E500Q2ZZ0NB00		
2	DI	E500P1VV0N200	E500K1VV0N200	E500Q1VV0N200	2 1/2	3 7/16
	CAST STEEL	E500P2ZZ0N200	E500K2ZZ0N200	E500Q2ZZ0N200		
2.5	CAST STEEL	E500P2ZZ0NC00	N/A	N/A	3	3 15/16
3	DI	E500P1VV0N300	E500K1VV0N300	E500Q1VV0N300	3	4 5/8
	CAST STEEL	E500P2ZZ0N300	E500K2ZZ0N300	E500Q2ZZ0N300		
4	DI	E500P1VV0N400	E500K1VV0N400	E500Q1VV0N400	4	5 15/16
	CAST STEEL	E500P2ZZ0N400	E500K2ZZ0N400	E500Q2ZZ0N400		
6	DI	E500P1VV0N600	E500K1VV0N600	N/A	5	8
	CAST STEEL	E500P2ZZ0N600	E500K2ZZ0N600			
8	DI	E500P1VV0N800	E500K1VV0N800		5 1/2	10 1/16
	CAST STEEL	E500P2ZZ0N800	E500K2ZZ0N800			
10	CAST STEEL	E500P2ZZ0NE00	N/A		6 1/2	12 3/4
12	CAST STEEL	E500P2ZZ0NF00			7 1/2	15

300lb. Flanged - Cast Steel Body Only					
Size (NPS)	Housing Material	Part Numbers by Liner Material		Dimensions (in.)	
		Polypropylene	PVDF	B	J
1	CAST STEEL	E500P9YY0N100	E500K9YY0N100	2 1/4	1 7/8
1.5		E500P9YY0NB00	E500K9YY0NB00	2 3/4	2 11/16
2		E500P9YY0N200	E500K9YY0N200	3	3 7/16
3		E500P9YY0N300	E500K9YY0N300	3 1/2	4 5/8
4		E500P9YY0N400	E500K9YY0N400	4 1/2	5 15/16
6		E500P9YY0N600	E500K9YY0N600	5 1/2	8